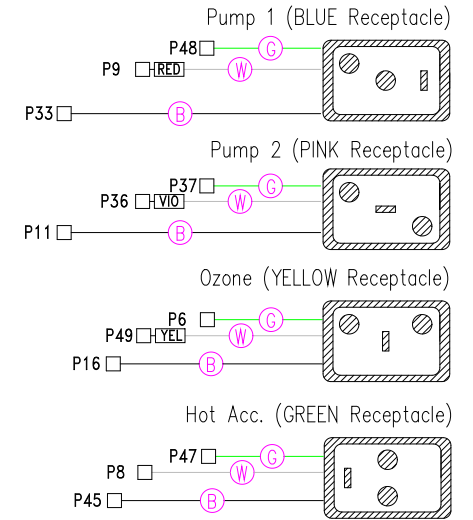
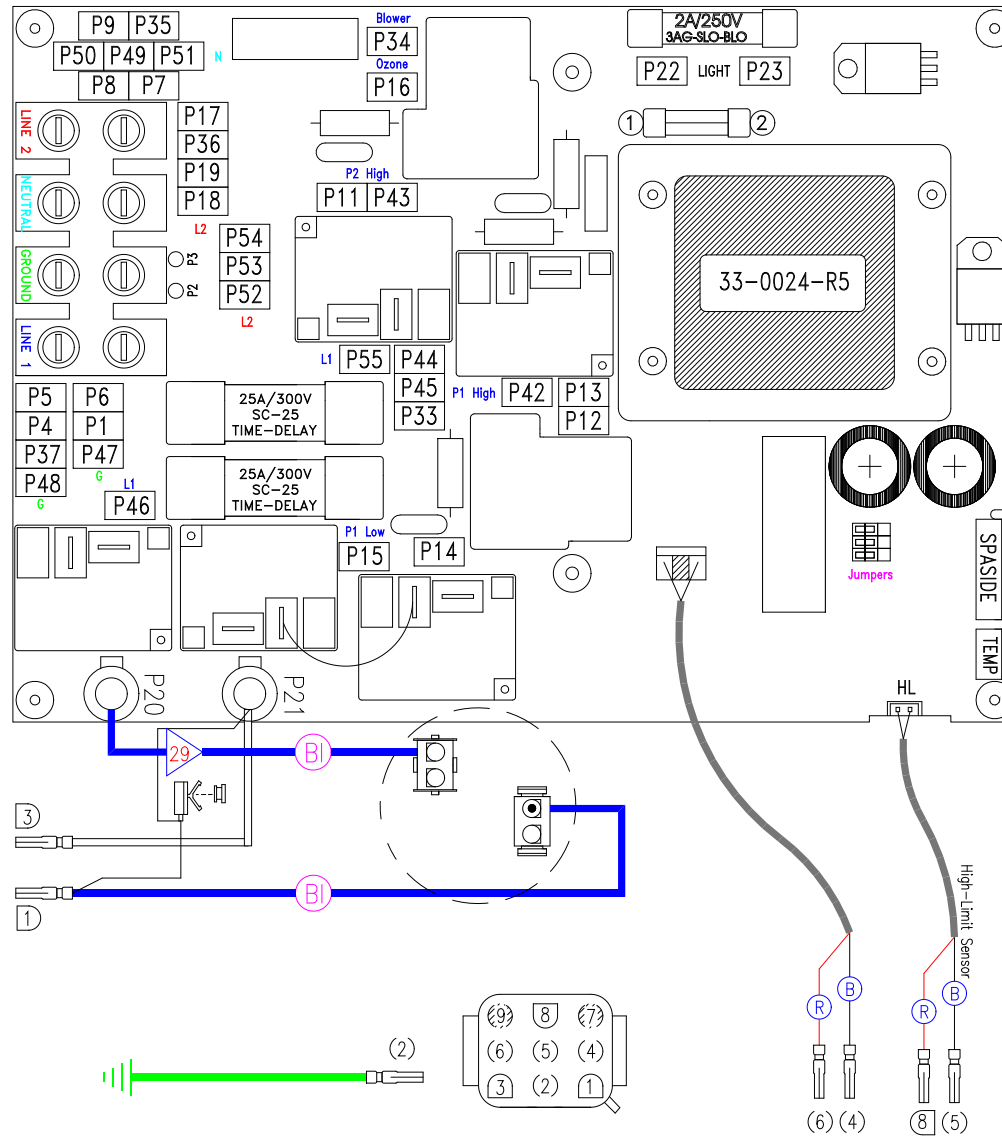
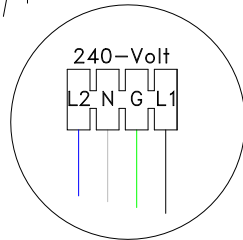


#1



MUST USE:

9 PIN FEMALE
MATE 'N' LOC 2
PLUS CONNECTOR
31-0111-9
31-0113-9

* Wire side view from inside control box.

| LEGEND | |
|--------|--------------------------------|
| | - 1/4" QUICK CONNECT |
| | - 1/4" QUICK CONNECT PIGGYBACK |
| | - RING CONNECTOR |
| | - SOCKET CONNECTOR |
| | - PIN CONNECTOR |

HYDRO-QUIP
CORONA, CA (951) 273-7575

Manufacture Notes:

#1 Line 2 and Neutral need to be jumpered for 120V operation.

| Drawn | Rev | Wire Color Code |
|-------------|----------|----------------------|
| BH | 2 | B - Black G - Green |
| Date | 05.12.06 | Br - Brown BI - Blue |
| Diagram No. | 6812 | R - Red V - Violet |
| | | O - Orange W - White |
| | | Y - Yellow Gr - Gray |